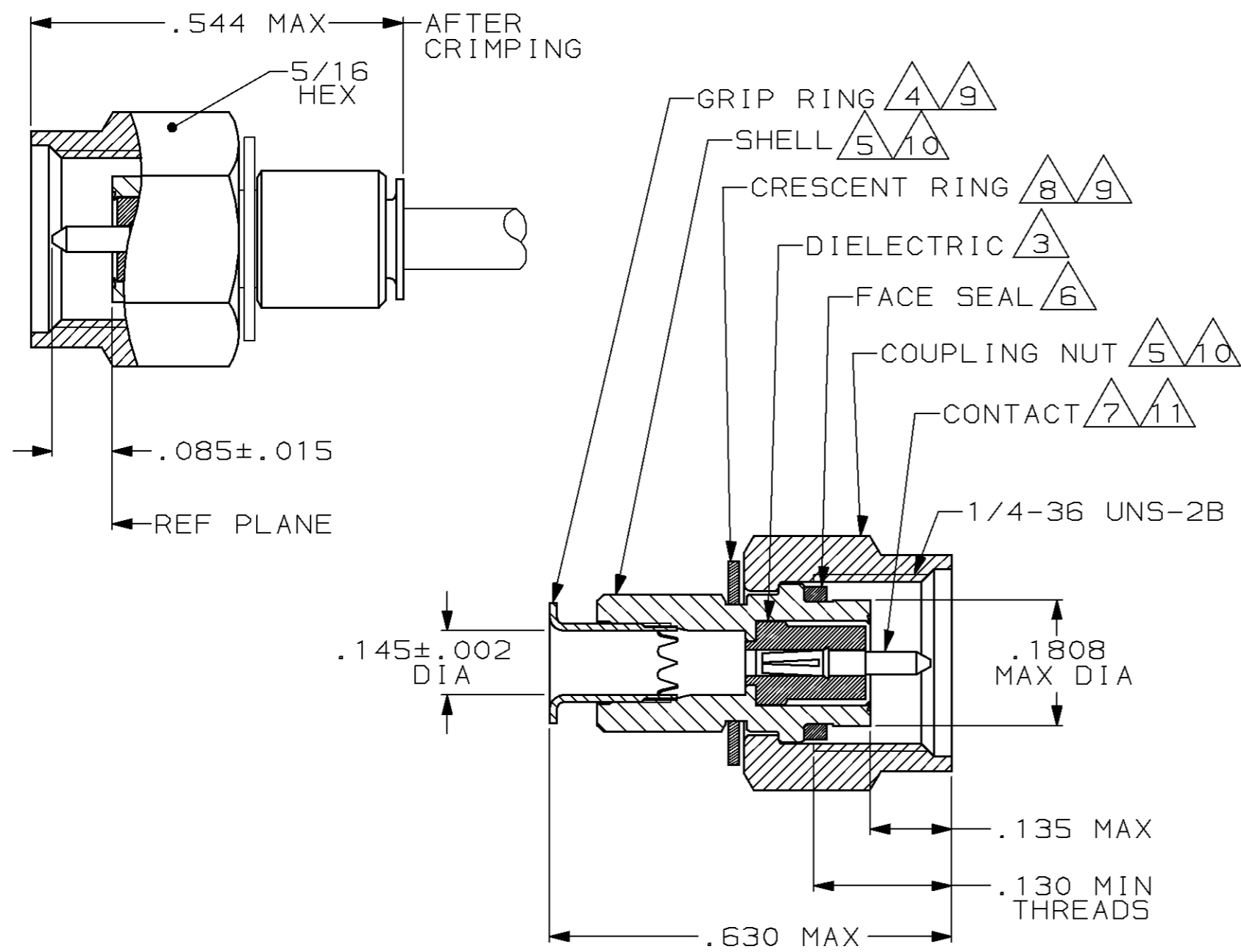
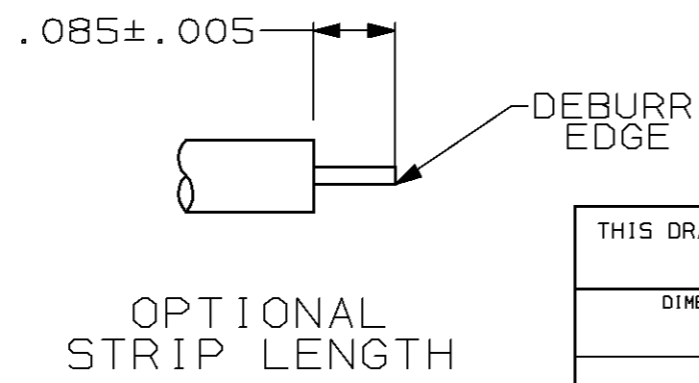
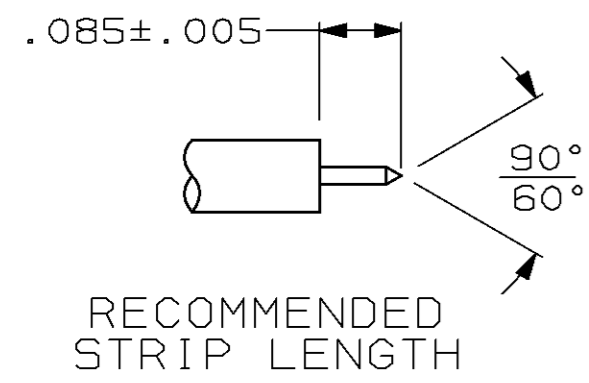


THIS DRAWING IS UNPUBLISHED. RELEASED FOR PUBLICATION ,19 .
 © COPYRIGHT 19 BY AMP INCORPORATED. ALL RIGHTS RESERVED.

LOC	DIST	REVISIONS			
P	LTR	DESCRIPTION	DATE	DWN	APVD
AJ	16	J	REV PER 0630-0431-98	28OCT98	MO JC



- FOR USE WITH: RG-402/U, .141 SEMI-RIGID CABLE
- SEE I.S. 6788
- PTFE PER ASTM D1710
- BRASS PER ASTM-B-36
- STAINLESS STEEL PER ASTM-A-582
- SILICONE RUBBER PER ZZ-R-765
- BERYLLIUM COPPER PER ASTM-B-197
- BERYLLIUM COPPER, ALLOY #25
- NICKEL PL PER QQ-N-290
- PASSIVATION PER ASTM A967
- GOLD PL PER MIL-G-45204
- 00779 M39012/79B3307
- .500 MIN LENGTH OF STRAIGHT CABLE REQUIRED TO APPLY THE CONNECTOR



227743-1
PART NO

THIS DRAWING IS A CONTROLLED DOCUMENT.		DWN K. HEILIG 8-12-87	AMP Incorporated Harrisburg, PA 17105-3608											
DIMENSIONS: mm		CHK M. SNEED 8-12-87												
TOLERANCES UNLESS OTHERWISE SPECIFIED:		APVD M. WALMSLEY 8-12-87												
<table border="0"> <tr><td>0 PLC</td><td>±-</td></tr> <tr><td>1 PLC</td><td>±-</td></tr> <tr><td>2 PLC</td><td>±-</td></tr> <tr><td>3 PLC</td><td>±-</td></tr> <tr><td>4 PLC</td><td>±-</td></tr> <tr><td>ANGLES</td><td>±-</td></tr> </table>		0 PLC		±-	1 PLC	±-	2 PLC	±-	3 PLC	±-	4 PLC	±-	ANGLES	±-
0 PLC	±-													
1 PLC	±-													
2 PLC	±-													
3 PLC	±-													
4 PLC	±-													
ANGLES	±-													
MATERIAL 3 THRU 8	FINISH 9 THRU 11	PRODUCT SPEC 108-12055	APPLICATION SPEC											
CUSTOMER DRAWING		SIZE A3	CAGE CODE 00779											
		DRAWING NO 227743-1	RESTRICTED TO											
		SCALE 5:1	SHEET 1 OF 1											
		REV J												